

# SDL

Outlet Valve Saddles



AAR Approval Number: **Not Applicable**

Valve Size: 4"

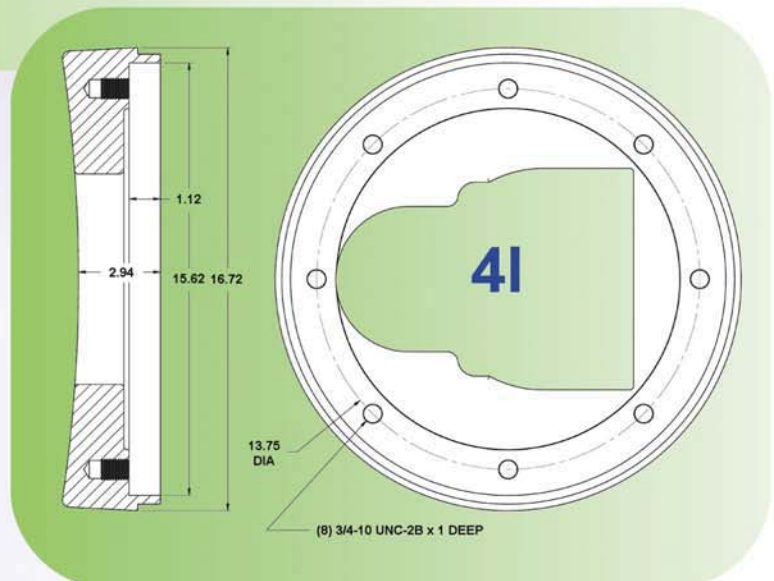
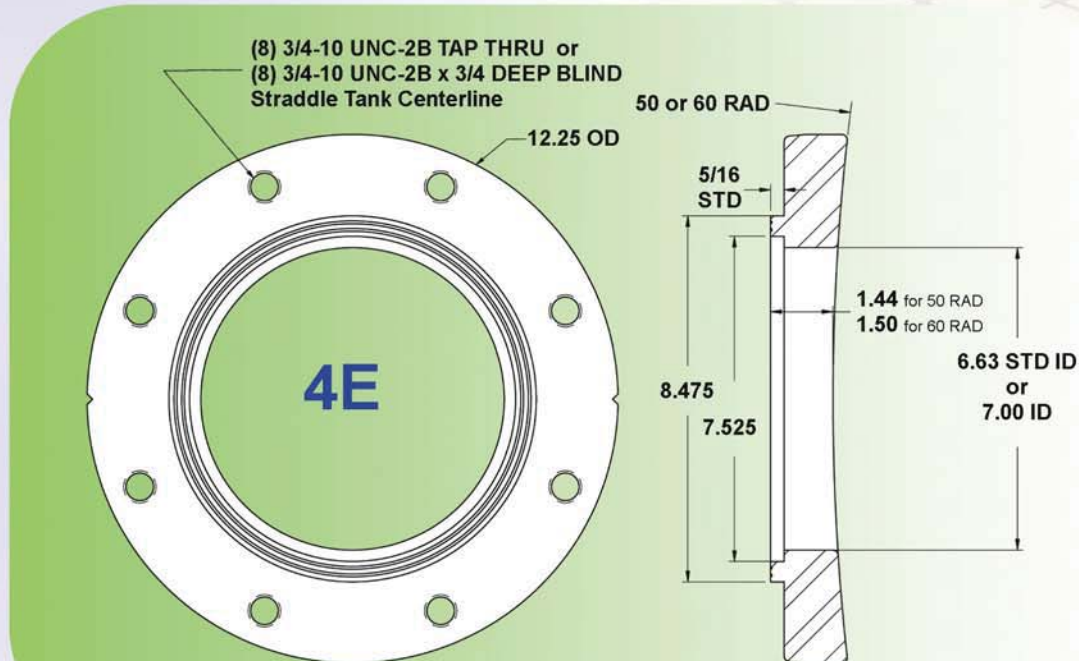
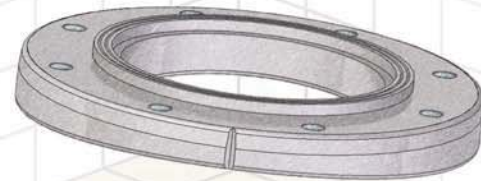
Tank Mounting: Radius Dimension

Customer Connection:

(8) 3/4-10 UNC-2B on a 10.625 DIA B.C.  
w/ 8.475 x 7.525 x 5/16 Tongue

(8) 3/4-10 UNC-2B on a 13.750 DIA B.C.  
w/ 15.625 DIA recess

Material: Stainless or Carbon Steel



# SDL

Outlet Valve Saddles



AAR Approval Number: **Not Applicable**

MODEL	VALVE STYLE	SADDLE MATERIAL*	BOLT HOLE DESIGN**	SCALLOP RADIUS**	SPECIAL CHARACTERISTICS** (SELECT ALL THAT APPLY)
SDL	4I - 4" INTERNAL BALL VALVE (UFIRA)	CS - CARBON STEEL	T - THRU HOLES	55 - 55" RAD	P - ID POLISHED TO 32 RA
	4E - 4" EXTERNAL BOV (UFPFR, UZFFR, UFPFRG)	S6 - 316L STAINLESS STEEL	B - BLIND TAPPED	60 - 60" RAD	T - 3/8 TONGUE
		S4 - 304L STAINLESS			L - LINED CAR 7.00 ID
		T6 - 316L STAINLESS STEEL (CT)			
		T4 - 304L STAINLESS STEEL (CT)			

Common Variation Model Numbers	McKenzie Part Number
SDL-4E-36T55	105520-01
SDL-4E-36T55-L	106968-01
SDL-4E-36T55-P	105520-05
SDL-4E-36T55-T	105520-04
SDL-4E-CSB55	106674-02
SDL-4E-CSB60	110456-02
SDL-4E-CST55	106674-01
SDL-4E-CST60	110456-01
SDL-4E-T6T55	105520-02
SDL-4E-T6T55-P	105520-03
SDL-4I-CSB55	021270-01

