

CLM

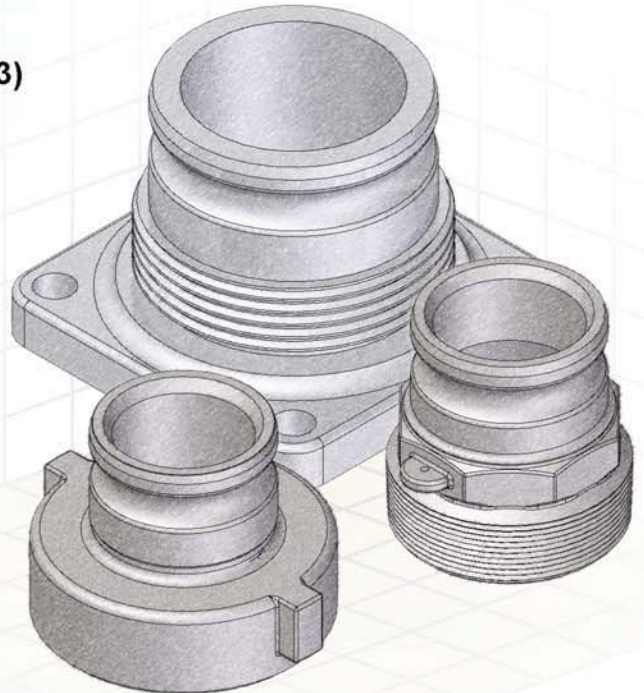


CAM Locking Mounts (Nozzles and Adapters)

AAR Approval Number: **Not Required (E-137013)**

Designed to MIL, ANSI, & AMSE Standards
 Thickness to B31.1 & BPVC Section VIII Div 1
 Pipe Thread to B1.20.1
 Straight Thread to B1.1
 CAM to MIL-C-27487, A-A-59326B, EN14420

Cap Size: 1" thru 6"
 Maximum Pressure: Material Dependent
 Maximum Temperature: Based on Elastomer
 Seals: Customer Specified Elastomer
 Body: Numerous Material Offerings



DIMENSIONS UPON REQUEST



Common Variation Model Numbers	McKenzie Part Number
CLM-2A-DI-P2	213-9876
CLM-2A-S6-P2	213-0142
CLM-3A-DI-P6	213-9985
CLM-3A-S6-P6	213-9857
CLM-4A-DI-P7	213-9992
CLM-4A-S6-P7	213-9993
CLM-6A-DI-P8	213-9999
CLM-6A-S6-P8	213-0198

Common Variation Model Numbers	McKenzie Part Number
CLM-2A-DI-N4	MV10034-01
CLM-2A-S6-N4	213-9835
CLM-3A-DI-N6	213-0159
CLM-3A-S6-N6	213-0161
CLM-4A-DI-N7	213-9991
CLM-4A-S6-N7	213-9875
CLM-6A-DI-N8	213-9998
CLM-6A-S6-N8	213-0196



Common Variation Model Numbers	McKenzie Part Number
CLM-2X3A-DI-N6	213-9980
CLM-2X3A-S6-N6	213-9981
CLM-3X4A-DI-N7	213-9986
CLM-3X4A-S6-N7	213-9987
CLM-4X3A-DI-N6	213-9994
CLM-4X3A-S6-N6	213-9995



CLM

CAM Locking Mounts (Nozzles and Adapters)

AAR Approval Number: **Not Required (E-137013)**

MODEL	SIZE	CONNECTION TYPE**	BODY MATERIAL*	MOUNTING** (ie TO TANK OR FITTINGS FLANGE)
CLM	1 - 1 CAM	D - DOT (CAM & THREADS)	CS - CARBON STEEL	H1 - (4) 3/4 HOLES on 7.75IN DIA BC
	2 - 2 CAM		S6 - 316 STAINLESS STEEL	H2 - (4) 3/4 HOLES on 9.00IN DIA BC
	3 - 3 CAM	A - CAM ONLY	S4 - 304 STAINLESS	H3 - (4) 3/4 HOLES on 9.50IN DIA BC
	4 - 4 CAM		T6 - 316 STAINLESS STEEL (CT)	H4 - (4) 3/4 HOLES on 6.00IN DIA BC
	5 - 5 CAM		T4 - 304 STAINLESS STEEL (CT)	H5 - (4) 11/16 HOLES on 6.38IN DIA BC
	6 - 6 CAM			H6 - (4) 3/4 HOLES on 7.50IN DIA BC
	2X3 - 2 CAM X 3 IN			H8 - (4) 3/4 HOLES on 4.75IN DIA BC
	3X4 - 3 CAM X 4 IN			H9 - (8) 7/8 HOLES on 9.50IN DIA BC
	4X3 - 4 CAM X 3 IN			H0 - (8) 3/4 HOLES on 7.50IN DIA BC
	5X4 - 5 CAM X 4 IN			N3 - 1" MPT
				N4 - 2" MPT
				N6 - 3" MPT
			N7 - 4" MPT	
		N8 - 6" MPT		
		P4 - 1" FNPT		
		P2 - 2" FNPT		
		P6 - 3" FNPT		
		P7 - 4" FNPT		
		P8 - 6" FNPT		
		T4 - 5 1/4-4 UN THREAD (STD ARR DOWNLEG)		



Common Variation Model Numbers	McKenzie Part Number
CLM-2A-S6-H8	213-9891
CLM-3A-S6-H4	213-9870
CLM-4A-DI-H1	108318-01
CLM-4A-S6-H0	213-9990
CLM-4A-S6-H1	108044-01
CLM-4A-S6-H2	110763-01
CLM-6A-S6-H9	213-9890

Common Variation Model Numbers	McKenzie Part Number
CLM-3D-S6-H1	107691-01
CLM-4D-CS-H1	108447-01
CLM-4D-S6-H1	108043-01
CLM-4D-S6-H2	110762-01



Common Variation Model Numbers	McKenzie Part Number
CLM-5X4A-DI-T4	213-0177
CLM-5X4A-S6-T4	213-0176