



**McKenzie Valve & Machining Company**

145 Airport Rd  
 McKenzie, TN 38201  
 731-352-5027

[www.McKenzieValve.com](http://www.McKenzieValve.com)

**VACUUM RELIEF VALVE (VRV)**

June 2008

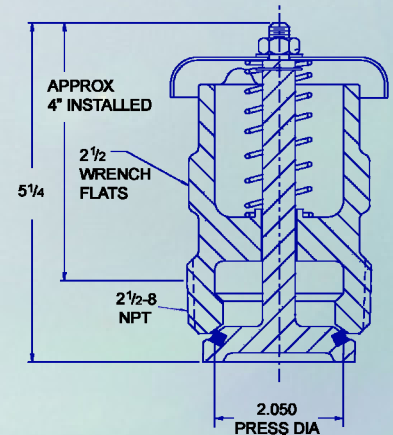
The Vacuum Relief Valve (VRV) is used to protect the tank from buckling under vacuum pressure conditions that are sometimes created during unloading or steam cleaning. The vacuum relief valve is constructed entirely of stainless steel. The valve body and stem are available in either grade 304 or 316 stainless. The valve is mounted to the car with 2-1/2" NPT threads. The vacuum relief valve is available in either a traditional 3/4 psi or 4 psi vacuum setting.

The Tri-Cap design is being offered to help address NARs, potential actuation during roll-overs, and customer concerns about manual operation of the valve. Unlike the common names "non-cycling" and "no-step" imply, the valve does still cycle and can withstand someone stepping on the valve. The main design advantage of the Tri-Cap is that the cap is no longer attached to the stem of the valve, which originally allowed unintentional or accidental operation of the valve.

**CYCLING VRV**

Mounting: 2-1/2" NPT  
 Pressure Set Point: 0.75 psi or 4 psi  
 Standard Offering: Model 098751

	0.75 PSI		4 PSI	
	304 SS	316 SS	304 SS	316 SS
<b>Quad Seal Elastomer</b>	<b>E-077023</b>	<b>E-077023</b>	<b>E-077023</b>	<b>E-077023</b>
Buna-N	098751-02	500059-02	500845-02	500824-02
Buna-N - Food Grade	098751-10	500059-10	500845-10	500824-10
Chemraz 505,Black	098751-16	500059-16	500845-16	500824-16
CSI 4273B	098751-12	500059-12	500845-12	500824-12
CSI 5355	098751-13	500059-13	500845-13	500824-13
EPDM - Food Grade	098751-04	500059-04	500845-04	500824-04
EPDM PC	098751-07	500059-07	500845-07	500824-07
Kalrez 4079, Black	098751-17	500059-17	500845-17	500824-17
Neoprene	098751-03	500059-03	500845-03	500824-03
Neoprene - Food Grade	098751-09	500059-09	500845-09	500824-09
Rubber, Food Grade	098751-18	500059-18	500845-18	500824-18
Viton® 747	098751-08	500059-08	500845-08	500824-08
Viton® A	098751-01	500059-01	500845-01	500824-01
Viton® A - Certified	098751-06	500059-06	500845-06	500824-06
Viton® B	098751-05	500059-05	500845-05	500824-05
Viton® Extreme ETP	098751-15	500059-15	500845-15	500824-15
Viton® GF-S	098751-14	500059-14	500845-14	500824-14

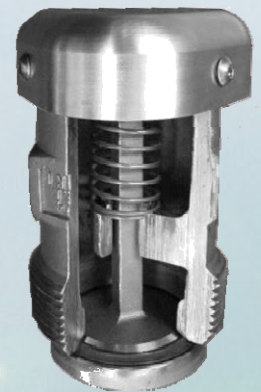
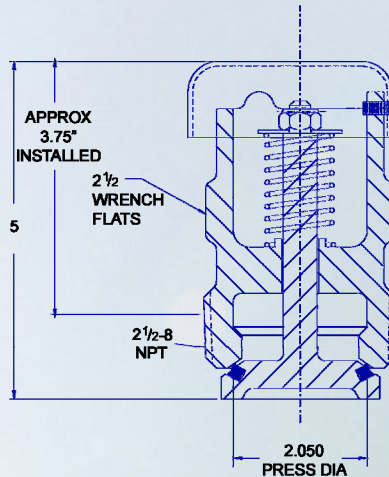




**TRI-CAP VRV  
(Non-Cycling, No-Step)**

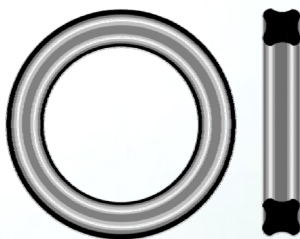
Mounting: 2-1/2" NPT  
Pressure Set Point: 75 psi

	0.75 PSI
	304 SS
Quad Seal Elastomer	E-077023
Buna-N	506981-02
Buna-N - Food Grade	506981-10
Chemraz 505,Black	506981-16
CSI 4273B	506981-12
CSI 5355	506981-13
EPDM - Food Grade	506981-04
EPDM PC	506981-07
Kalrez 4079, Black	506981-17
Neoprene	506981-03
Neoprene - Food Grade	506981-09
Rubber, Food Grade	506981-18
Viton® 747	506981-08
Viton® A	506981-01
Viton® A - Certified	506981-06
Viton® B	506981-05
Viton® Extreme ETP	506981-15
Viton® GF-S	506981-14



**QUAD SEALS**

(will fit both Cycling and Tri-Cap)



QS P/N	Quad Seal Elastomer
208-8045	BUNA-N
208-8033	BUNA-N (BLACK FOOD GRADE)
308-8041	CHEMRAZ 505, BLACK
208-8061	CSI 4273B
208-8062	CSI 5355
208-8031	EPDM - PEROXIDE CURED
208-8048	EPDM (WHITE FOOD GRADE)
208-17524	KALREZ 4079, BLACK
208-8047	NEOPRENE
208-8032	NEOPRENE (WHITE FOOD GRADE)
208-8044	RUBBER, FOOD GRADE
208-8053	VITON® 747
208-8046	VITON® A
208-8051	VITON® A - CERTIFIED
208-8049	VITON® B
208-8064	VITON® EXTREME ETP
208-8063	VITON® GF-S

All dimensions are reference