

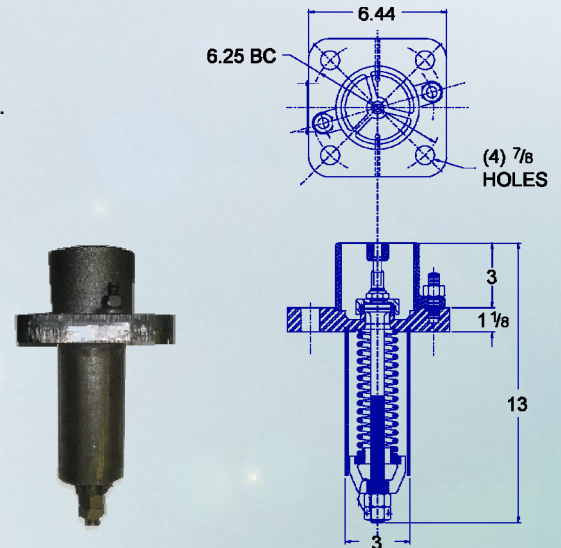


Safety Valves are used to protect the tank from over-pressure in events such as an accident involving a fire. McKenzie Valve supplies both low-flow and high-flow capacity designs, generally used for non-insulated, non-pressure tank cars. The valves are available with either a 75 psi or a 165 psi start-to-discharge pressure.

75 PSI LOW FLOW SRV/PRV

Mounting: 3-1/2" nozzle using (4) 3/4"-10 bolts on a 6-1/4" bolt circle.
Pressure Set Point: 75 psi
Rated Flow: 1202 SCFM @ 85 psig

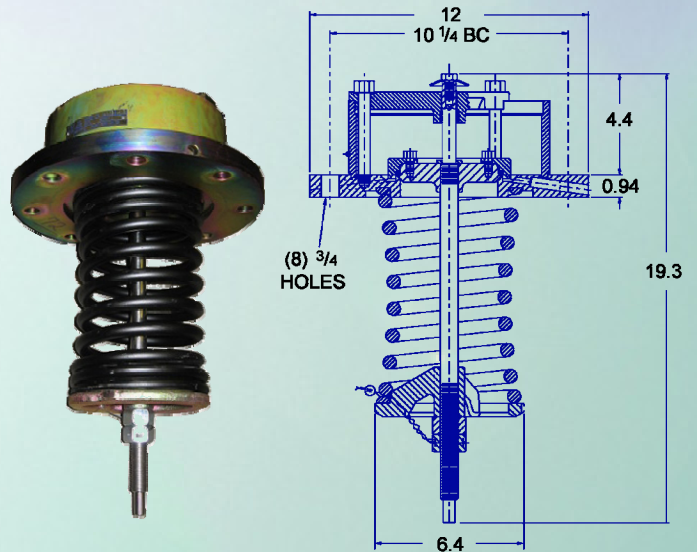
O-Ring Elastomer	Stainless Steel	Carbon Steel
	SRD-007068	SRD-007069
Buna-N	92534-03	92420-03
CS 4273B	92534-07	92420-07
CS 5355	92534-08	92420-08
EPDM PC	92534-04	92420-04
Neoprene - Food Grade	92534-05	92420-02
Viton® A	92534-01	92420-01
Viton® Extreme ETP	92534-10	92420-10
Viton® GFLT	92534-06	92420-06
Viton® GF-S	92534-09	92420-09



75 PSI HIGH FLOW SRV/PRV

Mounting: 6-1/2" nozzle using (8) 5/8"-11 bolts on a 10-1/4" bolt circle.
Pressure Set Point: 75 psi
Rated Flow: 20,508 SCFM @ 85 PSIG

O-Ring Elastomer	Carbon Steel
	PRD-057036
Buna-N	85381-01
Butyl Rubber	85381-04
Cert Viton® A	85381-11
Cert Viton® B	85381-09
Chemraz 505	85381-13
CS 4273B	85381-15
CS 5355	85381-16
EPDM PC	85381-06
Kalrez 4079	85381-10
Neoprene	85381-02
Viton® A	85381-03
Viton® B	85381-12
Viton® Extreme ETP	85381-18
Viton® GFLT	85381-14
Viton® GF-S	85381-17





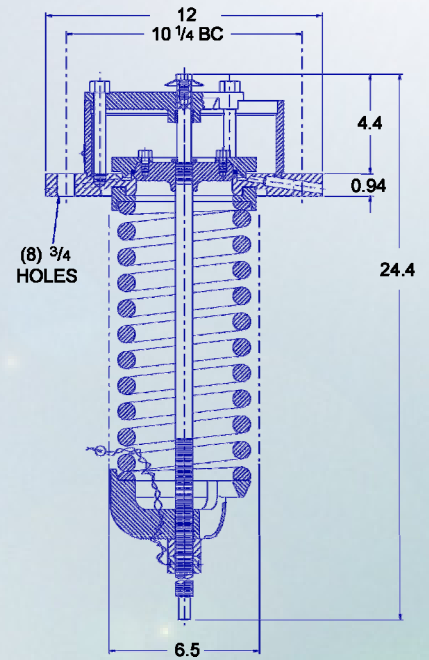
165 PSI HIGH FLOW SRV/PRV

Mounting: 6-1/2" nozzle using (8) 5/8"-11 bolts on a 10-1/4" bolt circle .

Pressure Set Point: 165 psi

Rated Flow: 38,902 SCFM @ 181.5 PSIG

O-Ring Elastomer	Carbon Steel SRD-987080
Buna-N	501605-02
Chemraz 505	501605-09
CS 4273B	501605-11
CS 5355	501605-12
EPDM PC	501605-03
Kalrez 4079	501605-05
Kalrez 6375	501605-07
Neoprene - Food Grade	501605-04
Viton® A	501605-01
Viton® B	501605-06
Viton® Extreme ETP	501605-14
Viton® GFLT	501605-10
Viton® GF-S	501605-13



GASKETS

Low Flow - 4 blt - 1/8" x 5 1/4" x 3 5/8"

Chemical Service-B	044756-02
Chemical Service-E	044757-02
Chemical Service-N	044755-02
Durlon 9000	044758-10
Food Rubber	044395-06
Garlock 3000	044661-01
Glass-Filled TFE	044444-06
Gylon 3504	044446-09

High Flow - 8 blt - 1/8" x 9 3/8" x 7 3/8"

Chemical Service-B	044756-38
Chemical Service-E	044757-38
Chemical Service-N	044755-38
Durlon 9000	DDB0013-139
Food Rubber	044395-28
Garlock 3000	044661-15
Glass-Filled TFE	044444-51
Gylon 3504	044446-19