



McKenzie Valve & Machining Company

145 Airport Rd
McKenzie, TN 38201
731-352-5027

www.McKenzieValve.com

LOW PROFILE BOTTOM OUTLET VALVE (BOV)

June 2008

The low profile valve is a straight through valve design. The low profile design recesses a portion of the valve body into the saddle of the tank thus reducing the projected distance of the valve subject to shear off hazard. The low profile valve reduces the skid protection required below the tank.

Valves are provided in Carbon Steel and Stainless Steel, with or without Steam Jacket.

Handles are not included with the 4" low profile valve assemblies.

UFPFR – 4" Low Profile, Bottom Outlet Valve

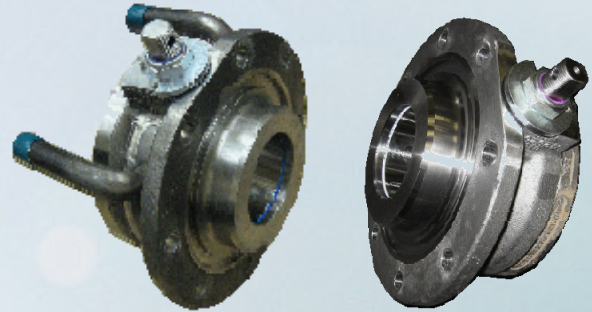
Valve Size: 4"

Port: Full

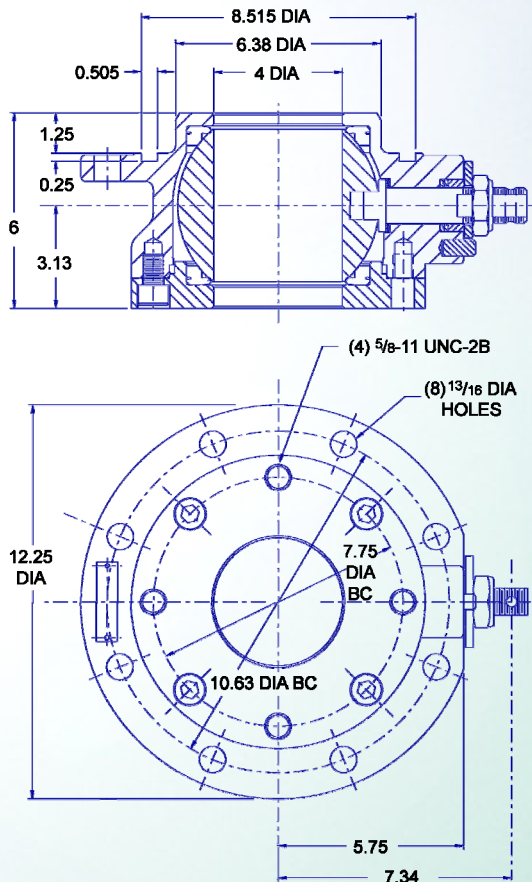
Maximum Pressure: 250 psi

Maximum Temperature: 400°F

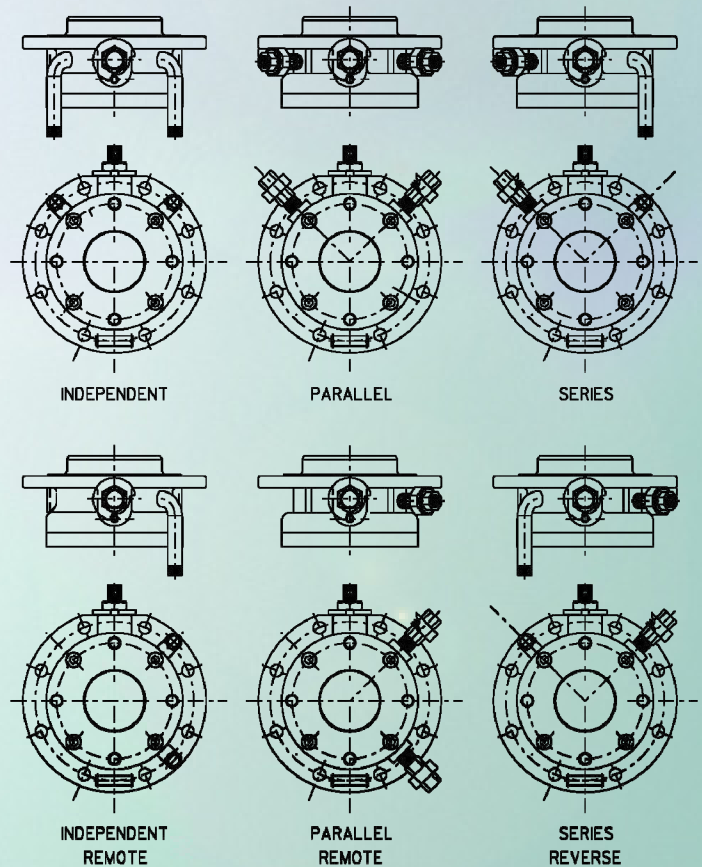
Mounting: (8) Bolts on a 10-5/8" DIA Bolt Circle



VALVE DIMENSIONS



STEAM CONNECTIONS



STEAM CONNECTIONS ARE 3/4" NPT MALE OR FEMALE AS SHOWN AND ARE LOCATED 45 DEG OFF OF HORIZONTAL OR VERTICAL AS SHOWN

All dimensions are reference



VALVE PART NUMBERS

DESCRIPTION	BODY / RETAINER MATERIAL	STEAM JACKET CONFIGURATION	MODEL#	SEATS		
				TFE	GLASS FILLED TFE	
4" FULL PORT LOW PROFILE BOTTOM OUTLET BALL VALVE APPROVAL# E-027046	CS	None	4" UFPFR 2236 TM	503674-01		
			4" UFPFR 2236 MM		503674-02	
		INDEPENDENT	4" UFPFR 2236 TMSJ	504729-01		
			4" UFPFR 2236 MMSJ		504729-02	
		PARALLEL	4" UFPFR 2236 TMSJ	505181-01		
			4" UFPFR 2236 MMSJ		505181-02	
		SERIES	4" UFPFR 2236 TMSJ	505271-01		
			4" UFPFR 2236 MMSJ		505271-02	
		PARALLEL REMOTE	4" UFPFR 2236 TMSJ	505287-01		
			4" UFPFR 2236 MMSJ		505287-02	
		SS	None	4" UFPFR 3636 TM	504734-01	
				4" UFPFR 3636 MM		504734-02
	INDEPENDENT		4" UFPFR 3636 TMSJ	504735-01		
			4" UFPFR 3636 MMSJ		504735-02	
	PARALLEL		4" UFPFR 3636 TMSJ	505251-01		
			4" UFPFR 3636 MMSJ		505251-02	
	SERIES		4" UFPFR 3636 TMSJ	505273-01		
			4" UFPFR 3636 MMSJ		505273-02	
	PARALLEL REMOTE		4" UFPFR 3636 TMSJ	505723-01		
			4" UFPFR 3636 MMSJ		505723-02	
	INDEPENDENT REMOTE		4" UFPFR 3636 TMSJ	506344-01		
			4" UFPFR 3636 MMSJ		506344-02	
	INDEPENDENT REMOTE CCW TO CLOSE		4" UFPFR 3636 TMSJ	506506-01		
			4" UFPFR 3636 MMSJ		506506-02	
	SERIES REVERSE		4" UFPFR 3636 TMSJ	505731-01		
			4" UFPFR 3636 MMSJ		505731-02	
	SS TESTED		NONE	4" UFPFR 3636 TMSJ	504739-01	
				4" UFPFR 3636 MMSJ		504739-02
		INDEPENDENT	4" UFPFR 3636 TMSJ	504740-01		
			4" UFPFR 3636 MMSJ		504740-02	

*The most commonly used BOVs are 503674-01 and 504735-01

HANDLE

4" Low Profile Handle	042756-01
-----------------------	-----------

REPAIR KITS

TFE	505447-01	Blue/Blue Speckle
Glass/Graphite Filled TFE	505446-01	Black